

Modular LV ESS

S40K

10.24 — 30.72kWh



HIGH PERFORMANCE

- >6000 Life Cycles.
- Each cluster is up to 30.72kwh (6 battery modules) , maximum 15 clusters in parallel to get 460.8 kWh.



SMART MANAGEMENT

- Display Screen allows for real-time monitoring.
- Cloud platform / APP remote monitor.



SAFE AND RELIABLE

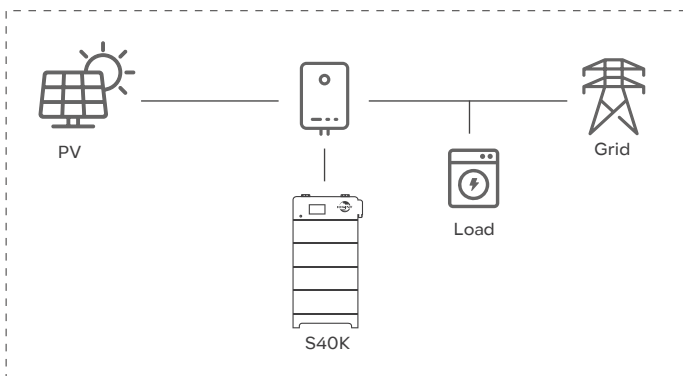
- IP55 design , available for indoor / outdoor.



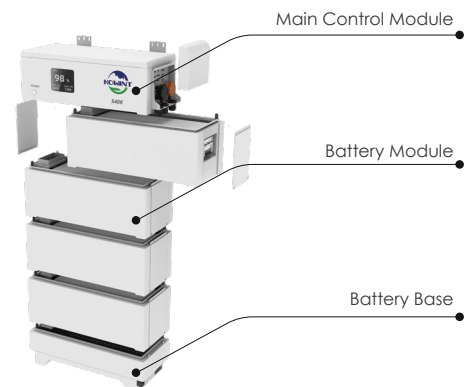
EASY INSTALLATION

- Modular design for ease of expansion.

● System Layout



● System Demonstration



● Product Specifications

System Characteristics

BESS Compliances	UL9540 / 9540A / IEC62619 / UN38.3 / MSDS / UKCA / CE / UL1973
Installation Method	Stack Mounting
Installation Scene	Indoor or Outdoor
Enclosure	IP55
Warranty	10 Years

BESS Specifications

Battery Module	C-UMO5-L01				
Main Control Module	CM300-S40K				
Module Amount	2	3	4	5	6
Nominal Energy(kWh)	10.24	15.36	20.48	25.6	30.72
Max Operating Current(A)	190	285	300	300	300
Module Amount Max	1+2	1+3	1+4	1+5	1+6
Nominal Voltage(V)	51.2				
Operating Voltage Range(V)	43.2 ~ 58.4				

General Parameters

Scalability	Maximum 15 Systems in Parallel				
Dimension(W*D*H)	645*268*869mm	645*268*1106mm	645*268*1343mm	645*268*1580 mm	645*268*1817mm
Net Weight (Approximate)	132.5kg	183.5kg	234.5kg	285.5kg	336.5
Operating Temperature(°C)	Discharging: -20 ~ 50, Charging: 0 ~ 50				
Storage Conditions	-20 ~ 55°C /(0 ~ 35°C Recommended), Up to 95% RH, non-condensing, Initial SoC: 50%				
Cooling	Natural Cooling				
Max. Altitude	2000m / 6561ft				
Cycle Life	6000 times@25°C				
Communication Method	CAN, RS485, WiFi				