

Split-Phase Hybrid LV Inverter

KSL12



HIGH PERFORMANCE

- Supports 6 machines in parallel.
- Extra input acceptable/generator input compatible.



SAFE AND RELIABLE

- IP65 design, available for indoor / outdoor.
- Built-in protection against backflow.



USER FRIENDLY SETUP

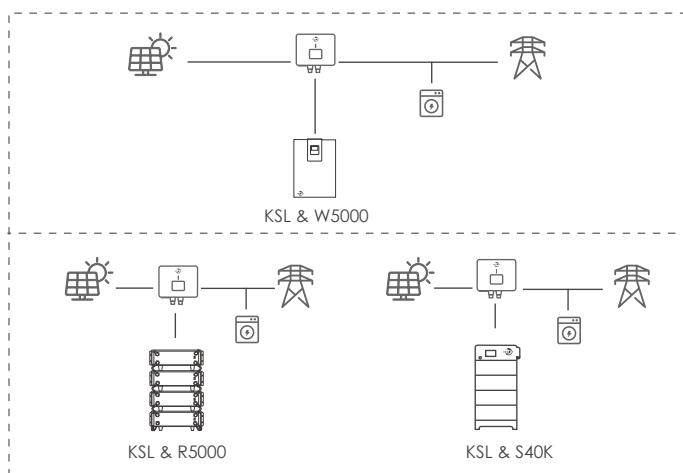
- Display Screen allows for real-time monitoring.
- Cloud platform / APP remote monitor.



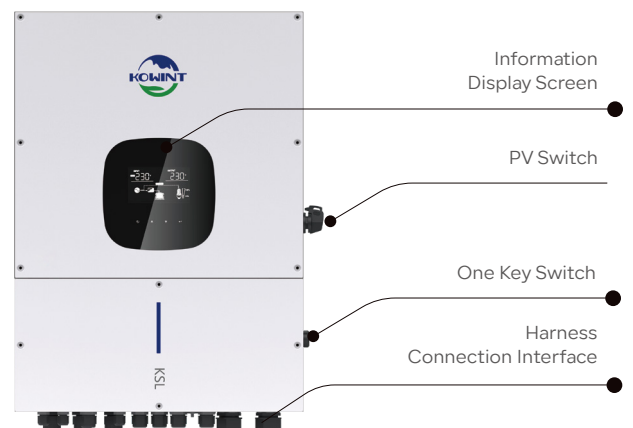
EASY INSTALLATION

- Wall-mount design saves installation space.
- Lightweight and convenient, Easy to install.

System Layout



System Demonstration



● Product Specifications

Model	KSL 12U02
Phase(V)	120 / 240 Split phase, 120 / 208 Split Phase
Maximum PV Input Power(W)	12000
Rated Output Power	10000VA / 10000W
Maximum Charging Power(W)	10000
Grid-tie Operation	
PV INPUT (DC)	
Maximum DC Voltage(Vdc)	600
Start-up Voltage / Initial Feeding Voltage(Vdc)	125 / 160
MPPT Voltage Range (Vdc)	120 ~ 550
Number of MPPT Trackers / Maximum Input Current(A)	2 / 18
GRID OUTPUT (AC)	
Nominal Output Voltage	120 VAC (P-N), 208 VAC (P-P), 240 VAC (P-P)
Output Voltage Range(Vac)	105.5 ~ 132 per phase
Nominal Output Current(A)	41.5 per phase
Power Factor	0.9 lag to 0.9 lead
EFFICIENCY	
Maximum Conversion Efficiency(DC/AC)	96%
Off-Grid Operation	
AC INPUT	
AC Start-up Voltage / Auto Restart Voltage(Vac)	85 / 90 per phase
Acceptable Input Voltage Range(Vac)	85 ~ 140 per phase
Frequency Range(Auto sensing)	50 / 60 per phase
Maximum AC Input Curren(A)	40 per phase
PV INPUT (DC)	
Maximum DC Voltage(Vdc)	600
MPPT Voltage Range(Vdc)	120 ~ 550
Number of MPPT Trackers / Maximum Input Current	2 / 18A
BATTERY MODE OUTPUT (AC)	
Nominal Output Voltage(Vac)	120 (P-N), 208 (P-P), 240(P-P)
Output Waveform	Pure Sine Wave
Efficiency(DC to AC)	91%
Hybrid operation	
PV INPUT(DC)	
Maximum DC Voltage(Vdc)	600
Start-up Voltage / Initial Feeding Voltage(Vdc)	125 / 160
MPPT Voltage Range(Vdc)	120 ~ 550
Number of MPPT Trackers / Maximum Input Current (A)	2 / 18
GRID OUTPUT(AC)	
Nominal Output Voltage(Vac)	120 (P-N), 208 (P-P), 240 (P-P)
Output Voltage Range(Vac)	105.5 ~ 132 per phase
Nominal Output Current(A)	41.5 per phase
AC INPUT	
AC Start-up Voltage / Auto Restart Voltage(Vac)	85, 90 per phase
Acceptable Input Voltage Range(Vac)	85 ~ 140
Maximum AC Input Current(A)	40 per phase
BATTERY MODE OUTPUT(AC)	
Nominal Output Voltage	120 VAC(P-N), 208VAC(P-P), 240VAC(P-P)
Efficiency(DC to AC)	91%
BATTERY & CHARGER	
Nominal DC Voltage(Vdc)	40 ~ 62
Maximum Solar Charging Current A)	200
Maximum AC Charging Current(A)	200
Maximum Charging Current(A)	200
General	
Dimension(W*D*H)(mm)	515*215.5*715
Net Weight(kg)	45
Parallel Function	Yes / 6 Units
Communication Port	RS232/ RS485 / WI-Fi / USB
Protection Degree	IP65
Operating Temperature(°C)	- 25 to 60(45 Derating)
Certificate	UL1741SA / CEC