

## Modular LV ESS

# S40K

10.24 — 30.72kWh



### HIGH PERFORMANCE

- >6000 Life Cycles.
- Each cluster is up to 30.72kwh (6 battery modules) , maximum 15 clusters in parallel to get 460.8 kWh.



### SMART MANAGEMENT

- Display Screen allows for real-time monitoring.
- Cloud platform / APP remote monitor.



### SAFE AND RELIABLE

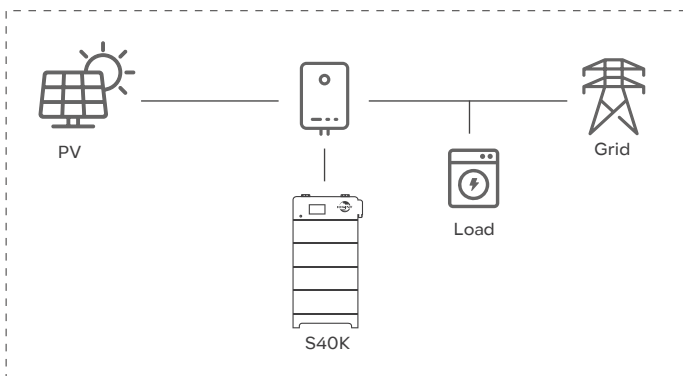
- IP55 design , available for indoor / outdoor.



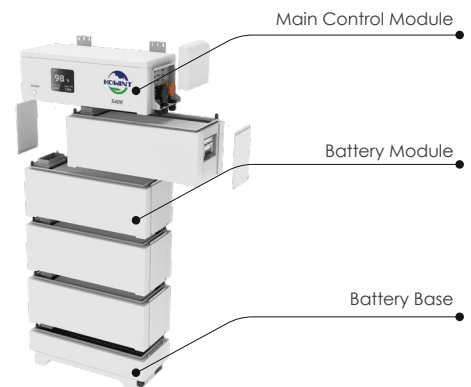
### EASY INSTALLATION

- Modular design for ease of expansion.

## System Layout



## System Demonstration



## ● Product Specifications

### System Characteristics

BESS Compliances	UL9540 / 9540A / IEC62619 / UN38.3 / MSDS / UKCA / CE / UL1973				
Installation Method	Stack Mounting				
Installation Scene	Indoor or Outdoor				
Enclosure	IP55				
Warranty(Years)	10				

### BESS Specifications

Battery Module Type	C-UMO5-L01				
Main Control Module	CM300-S40K				
Module Amount	2	3	4	5	6
Nominal Energy(kWh)	10.24	15.36	20.48	25.6	30.72
Max Charging / Discharging current(A)	190	285	300	300	300
Module Amount Max	1+2	1+3	1+4	1+5	1+6
Operating Current(kg)	132.5	183.5	234.5	285.5	336.5
Nominal Voltage(V)	51.2				
Operating Voltage Range(V)	43.2 ~ 58.4				

### General Parameters

Scalability	Maximum 15 Systems in Parallel				
Dimension (W*H*D)(mm)	645*869*268	645*1106*268	645*1343*268	645*1580*268	645*1817*268
Max. Operating Current (A)	300				
Operating Temperature (°C)	Discharging: -20 ~ 50 Charging: 0 ~ 50				
Storage Conditions	-20 ~ 55°C /(0 ~ 35°C Recommended), Up to 95% RH, Non-condensing , Initial So : 50%				
Cooling	Natural Cooling				
Max. Altitude	2000m (6561ft)				
Cycle Life	6000 times @ 25°C				
Communication Method	CANRS , 485 , WiFi				